

**ZHS-0409 IRCUT**

ISO/TS16949 ISO9000 ISO14000  
RoHS REACH CE UL VDE TÜV



总重量 Total Weight: 10g  
应用范围: CMOS和CCD摄像机  
APPLICATION: The Door IP Intercom

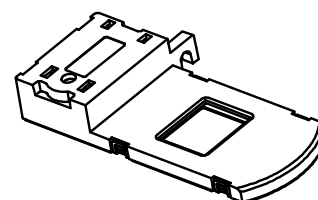
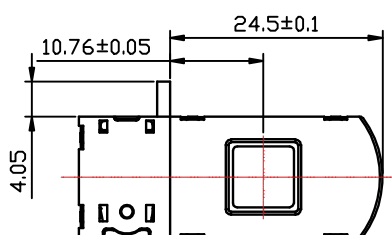
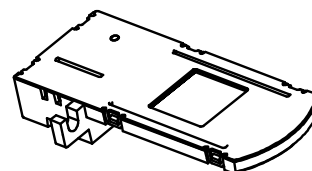
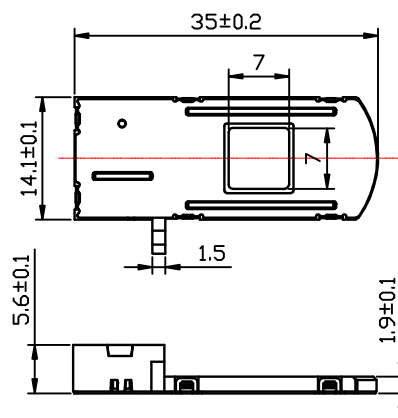
**综合特性**

**GENERAL FEATURES**

1. 驱动类型: 励磁式  
Motor Type: Magnet moving
2. 工作电压: DC 3.3-12V  
Work Voltage : DC 3.3-12V
3. 工作环境温度:  
温度: -30 ~ 80℃  
湿度: 0 ~ 90%  
Operating environment:  
Temp: -30 ~ 80℃  
Relative humidity: 0 ~ 90%
4. 滤光片切换响应时间: 50ms  
Fluid medium: Air, volati
5. 寿命: 典型值为10万次 (on 0.1s, off 3s)  
Lify cycle: 1,000, 00 cycles (on 0.1s, off 3s)
6. 绝缘等级: B类  
Insulation class: class B

类型: 抽屜式

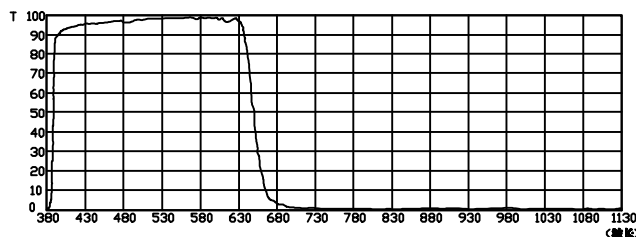
轴测图



单位:mm Units:mm

**镜片光谱图**

1. IR Filter spectrum :



2. AR Filter spectrum :

