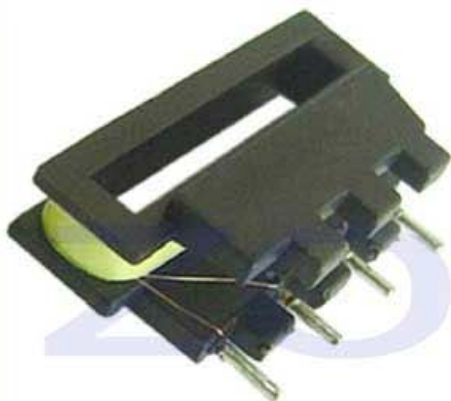


ZHB-3006 Bobbin Solenoid

ISO/TS16949 ISO9000 ISO14000
RoHS REACH CE UL VDE TÜV



总重量 Total Weight: 5g
应用范围: 用于投币器等
APPLICATION: Coin Box etc

型号 Type no.

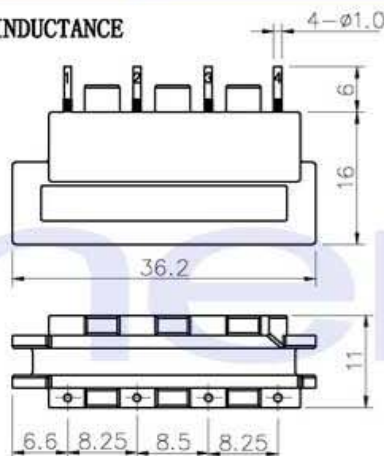
ZHB-3006-XX A XX

电压 Voltage (V)

系列号 Serial No.: A, B, C...

电感 Inductance (mH)

类型: 电感 TYPE: INDUCTANCE



PERFORMANCE PROMETER 性能参数

单位:mm Units:mm

	连续 Continuous 100%	间断 Or less 50%	间断 Or less 25%	间断 Or less 10%
工作周期(%) = $\frac{\text{工作时间}}{\text{工作时间} + \text{断开时间}} \times 100\%$ Duty cycle(%) = $\frac{\text{"ON" time}}{\text{"ON" time} + \text{"OFF" time}} \times 100\%$				
最大工作时间(秒) MAX. "on" time in seconds	∞	55	19	3
瓦特(W) (20°C) Watts at 20°C	0.6	1.2	2.4	6
安匝数AT(20°C) Ampere-turns at 20°C	55	78	110	176

以下内容摘自规格书ZHB-3006-12A2.2

The following content from the specification of ZHB-3006-12A2.2

4. 额定参数 (RATED VOLTAGE)

- 4-1 电压 (VOLTAGE): DC 12V ± 10%
- 4-2 电感 (INDUCTANCE): 2.2mH-J
电感量公差等级: J: ±5% K: ±10% L: ±20% P: ±25% N: ±30%
- 4-3 参考电阻 (CONSULT RESISTANCE): 68 Ω ± 10% (at DC 12V 20°C)
- 4-4 参考电流 (CONSULT CURRENT): 0.18A (at DC 12V 20°C)
- 4-5 参考功率 (CONSULT WATTAGE): 2.12W
- 4-6 工作循环 (DUTY CYCLE): ON 1Sec: OFF 2Sec;
- 4-7 绝缘等级 (INSULATION CLASS): B类 (CLASS B)

5. 电气特性 (ELECTRONICAL CHARACTERISTICS)

- 5-1 绝缘电阻 (INSULATION RESISTANCE) 线圈和框架间 100M Ω (DC 500V 常规温度/湿度)
BETWEEN COIL AND FRAME DC 500V NORMAL, TEMP/HUMIDITY, 100M Ω MEGGER
- 5-2 耐电压 (DIELECTRIC STRENGTH) 线圈和框架间 AC500V (50/60Hz) 1Min 或 AC600V (50/60Hz) 1Sec (击穿电流 1mA)
BETWEEN COIL AND FRAME AC500V (50/60Hz) 1Min OR AC600V (50/60Hz) 1Sec (1mA)
- 5-3 工作温度、湿度 (OPERATING TEMP/HUMIDITY) -5°C ~ 65°C, 5% RH ~ 85% RH

6. 测试环境 (TEST ENVIRONMENT)

- 6-1 测试温度 (TEST TEMP): 20°C
- 6-2 测试电平 (TEST VOLTAGE): 100mV
- 6-3 电源内阻 (POWER RESISTANCE): 30 Ω (国内 30 Ω, 国外 100 Ω)
- 6-4 测试频率 (TEST FREQUENCY): 1KHz